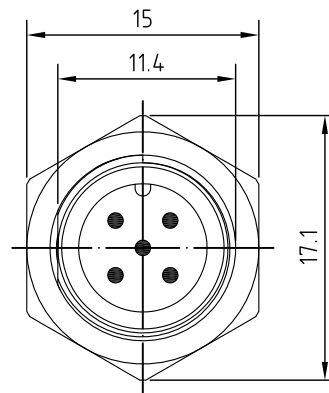
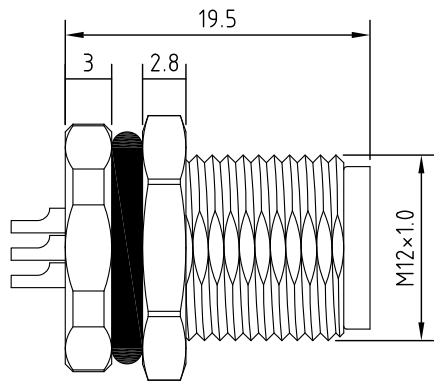


Recommended Panel cut-out



REV.	Description	Date
1	add recommended panel cut-out	2018/4/16
2	panel cut-out dimension revise	2020/9/16

Specification of connector

Locking system : screw M12
 Termination : solder
 Shell protection : IP68
 Contact resistance : $\leq 10m\Omega$
 Insulation resistance : $\geq 10M\Omega$

RoHS
 TOLERANCE X \pm 0.5 .X \pm 0.3
 UL-Recognized file No.E359387

5	Nut	Brass/Nickel plated
4	O ring	Rubber
3	Body	Brass/Nickel plated
2	Pin	Brass/Gold plated
1	Housing	PA/94V-0
Item	Description	Material&Plating

CONTACT ARRANGEMENT FRONT VIEW (MALE)	2P	3P	4P	5P
Rated voltage	250V			
Rated current	5A			



Unicable Co., Ltd. 國陽電業有限公司

5F., No. 111-33, Sec. 4, San Ho Road., San Chung Dist., New Taipei City, Taiwan
<http://www.unicable.com.tw> Tel:+886-2-2286-2122 Fax:+886-2-2286-1010

DATE	2020/9/16	PART NO.	UT-SD170F8-UC-XP
DWN	GINA	REV.	2
CHK			
UNIT	MM		

ITEM	Sensor Connector M12
------	----------------------